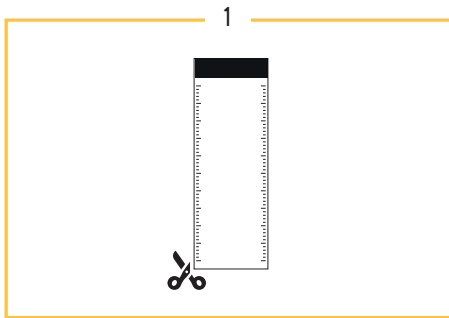
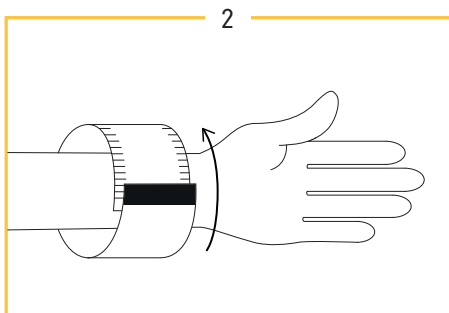


BREITLING SIZING TOOL

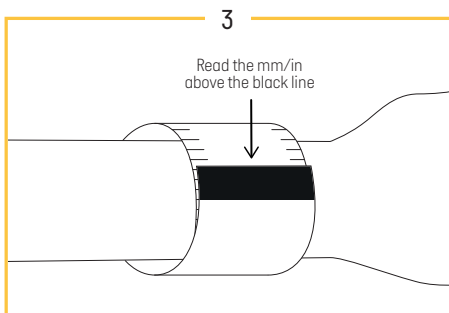
PLEASE MAKE SURE TO PRINT IT AT 100%



- Cut out the ruler.



- Open your hand and turn your palm facing up.
- Place the ruler at your wrist bone or 1 cm or 1/2 inch above.
- Snuggly wrap the ruler around your wrist as you would wear your Breitling, loose enough not to bulge your skin.



- Measure the relevant size at the upper edge of the black part.

